

ENGLISH

# *Binatone*

*Simply better*

**24"(61cm)/36"(91cm)/58"(147cm) CEILING FAN**



To get the best results from your Binatone product  
please read these instructions carefully.

CF-2476, CF-3676, CF-5603,  
CF-5674, CF-5675 & CF-5676

**Binatone has an incredible heritage.**

**Established – 1958 in London, UK.**

We are an absolutely customer centric company!

With more than 60 years delivering quality products to our customers in more than 75 countries – our global footprint enables economies of scale.

This allows us to offer you some of the world's highest performance, quality & value products available in the market today.

Our commitment lies solely in delivering high quality, affordable products.

Our international team is constantly pursuing every effort to make products not just 'appliances' but 'lifestyle improvements'.

Check out all the latest Binatone products at:

[www.binatonelifestyle.com](http://www.binatonelifestyle.com)



# IMPORTANT SAFEGUARDS

When using electrical appliances – especially when children are present, basic safety precautions should always be followed to reduce the risk of fire, electric shock and/or injury to persons.

- ✓ READ ALL INSTRUCTIONS
- ✓ Make sure your power supply is consistent with the rated specification of the product before connecting.
- ✓ Make sure all electrical connections comply with the National Electrical Code and local codes/ordinances. If you are unfamiliar with electrical wiring, please use a qualified & licensed electrician.
- ✓ This appliance is not intended for use by persons (including children) with reduced physical, sensory, or mental capabilities or lack of experience and knowledge – unless they are under supervision or instruction concerning use of the appliance by a person responsible for their safety. Children should be supervised to ensure that they do not play with the appliance.
- ✓ Do not operate any electrical appliance with a damaged cord or plug – or after the appliance malfunctions or has been dropped or damaged in any manner. Return the appliance to the nearest authorised service facility for examination, repair or adjustment.
- ✓ This product is intended for domestic indoor use only. Do not use outdoors or for commercial purposes.
- ✓ To protect against electric shock, do not place the product, cord or plug-in water or other liquid.
- ✓ This product should not be used in the immediate vicinity of water, such as bathtub, washbowls, swimming pool etc. where the likelihood of immersion or splashing could occur.
- ✓ Unplug from the power outlet when not in use & before cleaning.
- ✓ Do not hang the appliance by the power cord or otherwise pull, twist or abuse the power cord.
- ✓ Use this appliance only for its intended use – as described in this manual.
- ✓ Do not insert fingers or other articles into the fan blades during operation.
- ✓ The use of accessory attachments not included, recommended or sold by Binatone is prohibited and may cause damage, fire, electric shock or injury.
- ✓ Make sure there is sufficient space for the fan blades to rotate – with at least 1m clearance to walls. Fan unit should be at least 2.3m above the floor
- ✓ Never locate the switch where it can be reached from a bathtub or shower.

## SPECIFICATION

CF-2476 Power:	AC 230V~ 50Hz 75W
CF-3676 Power:	AC 230V~ 50Hz 80W
CF-5603/5674/5675/5676 Power:	AC 230V~ 50Hz 85W

## KNOW YOUR APPLIANCE

### Control Panel

The ceiling fan is controlled by the supplied wall mount switch, providing 5 air flow settings.

### BEFORE FIRST USE

Check you have the following parts :

Motor Box :

Motor Assembly  
Top & Bottom Canopies  
Down rod with fixings  
Wall Mount Switch

Blade Box :

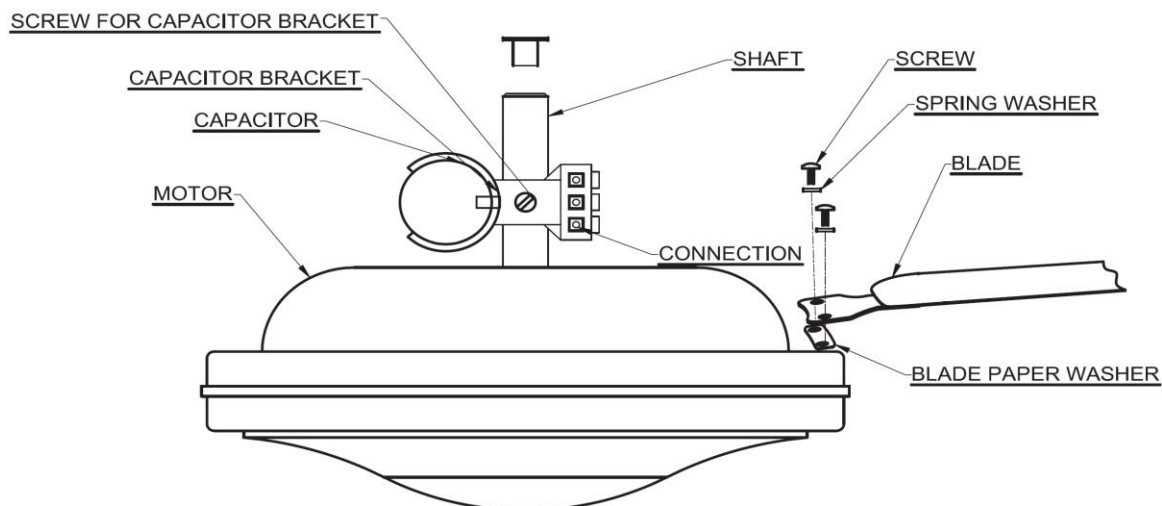
A set of aerodynamically balanced blades (3pcs or 4pcs depending model)

Carefully remove all packaging & assemble the product following the setup & operating instructions below.

# SETUP INSTRUCTIONS

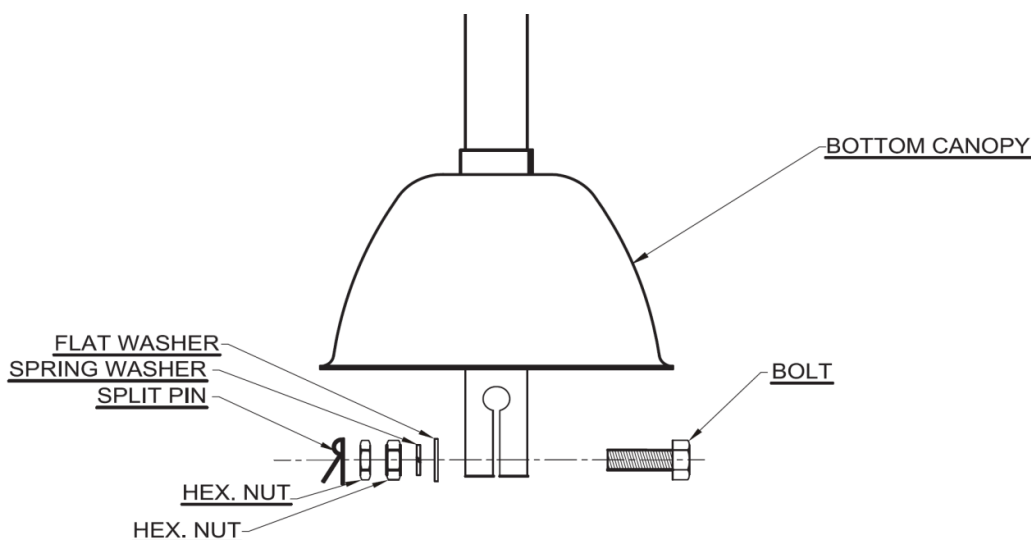
It is recommended that this appliance and the wall mounted switch be installed by a qualified electrician.

## Fan Blade to Motor Unit Assembly



- 1) Carefully remove the blades from the packaging and place them individually on a soft cloth (to protect the paintwork during assembly).
- 2) Loosen and remove the 2 screws & spring washers for each blade location on the motor unit.
- 3) Attach the blade to the motor unit – ensuring the blade paper washer is between the motor unit and the blade
- 4) Secure each blade with the spring washer and screws. Ensure the screws are tight.

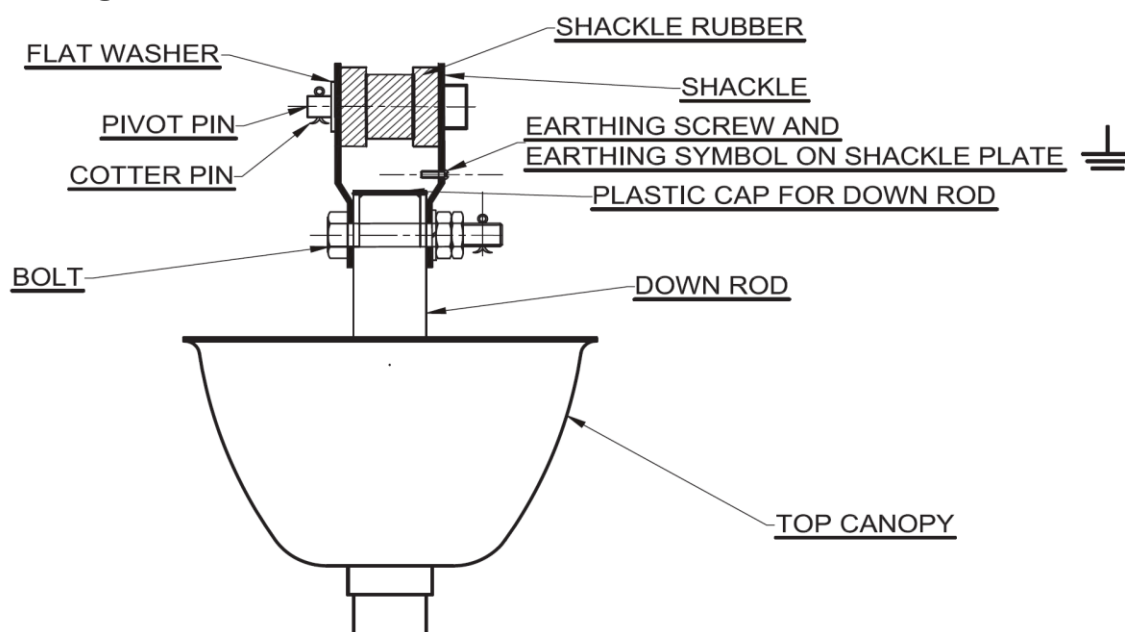
## Down Rod to Motor Unit Assembly



## SETUP INSTRUCTIONS continued

- 1) Carefully remove the motor unit from the packaging and place on a soft cloth (to protect the paintwork during assembly).
- 2) Remove the split pin, hex nut, spring washer, flat washer & bolt from the bottom of the down rod.
- 3) Slide the top canopy (open end upwards) and bottom canopy (open end downwards) onto the down rod (as shown in the diagram)
- 4) Insert the power supply wires into the side hole at the top of the down rod and thread the wires to the bottom of the down rod, passing them out the side hole.
- 5) Align the hole in the bottom of the down rod and the motor shaft and slide the down rod into place.
- 6) Secure by fitting the bolt through the assembly and re-attaching the flat washer, spring washer & hex nut.
- 7) Tighten the hex nut fully with a spanner and lock in place by inserting the split pin and bending the split pin legs apart.
- 8) Connect the power supply wires to the connection point on the motor unit (see wiring diagram for details)

## Ceiling Mounting



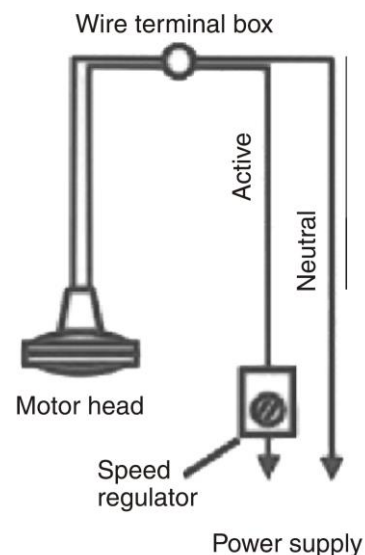
- 1) Carefully hang the motor/blade/down rod assembly – by hooking through the top of the down rod.  
The ceiling hook will seat into the shackle rubber which provide vibration isolation to the fan assembly.
- 2) Ensure the earth wiring connection is made to the earthing point at the top of the down rod.

# SETUP INSTRUCTIONS continued

## Wall Mount Switch

Make sure your power supply is consistent with the rated specification of the product before connecting.

- A) Remove the wall switch rear cover
- B) Locate a suitable position for the switch & mount it to the wall firmly
- C) Isolate the electrical power to the wiring & ensure it is off.
- D) Connect the incoming power to the terminal post on the switch – as shown in the wiring diagram
- E) Connect the wiring as shown in the circuit diagram below
- F) Replace the wall switch rear cover & ensure the switch is at the off position with arrows aligned to '0'
- G) Reconnect power



## OPERATING INSTRUCTIONS

1. Speed selection  
On the wall mount speed control - rotate the dial control so the arrows line up with the marked '1'  
To turn off – rotate the dial control, so the arrows align with '0'
2. Speed 2  
On the wall mount speed control - rotate the dial control so the arrows line up with the marked '2'  
To turn off – rotate the dial control, so the arrows align with '0'
3. Speed 3  
On the wall mount speed control - rotate the dial control so the arrows line up with the marked '3'  
To turn off – rotate the dial control, so the arrows align with '0'
4. Speed 4  
On the wall mount speed control - rotate the dial control so the arrows line up with the marked '4'  
To turn off – rotate the dial control, so the arrows align with '0'
5. Speed 5  
On the wall mount speed control - rotate the dial control so the arrows line up with the marked '5'  
To turn off – rotate the dial control, so the arrows align with '0'

## CARE AND CLEANING

This appliance requires little maintenance.

We recommend dust is cleaned from the fan blades every few months, to keep it operating optimally.

After use and before cleaning, ensure the fan is OFF and the blades have come to a complete stop.

Wipe fan blades with a damp cloth.

Do not use abrasive cleaners.

Wipe the outside of motor unit with a damp cloth and dry with another cloth or paper towel.

## SERVICE & CUSTOMER CARE

There are no user serviceable parts inside this appliance.

If the power cord is damaged it must, for safety reasons, be replaced by Binatone or an authorised Binatone repairer.

If you need help with:

- using your product
- servicing or repairs (in or out of guarantee)
- spare parts (fan blade, canopies, locking nut)

Please contact Binatone Customer Service at:



[www.binatonelifestyle.com/binatone/customer-service/](http://www.binatonelifestyle.com/binatone/customer-service/)



[www.facebook.com/BinatoneAfrica](https://www.facebook.com/BinatoneAfrica)

or search @BinatoneAfrica in Facebook or Messenger to find this page easily.

Have your model number & batch code ready – it is located on the rating label on your product



# WARRANTY



## Save your proof of purchase sales receipt.

BINATONE warrants, subject to the conditions stated below, that from the date of purchase, this product will be free from mechanical defects for a period of two (2) years.

This is a domestic product – warranty does not cover products that have been used for commercial purposes.

BINATONE at its option, will repair or replace a product found to be defective during the warranty period. Should this product become defective by reason of improper workmanship or material defect during the specified warranty period, BINATONE will repair or replace the same effecting all necessary part replacements.

Transportation charges on parts, or products in whole, submitted for repair or replacement, under this warranty, must be borne by the purchaser.

CONDITIONS: This warranty is valid for the original retail purchaser from the date of initial retail purchase and is not transferable. Keep the original sales receipt. Proof of purchase is required to obtain warranty service or replacement. Dealers, service centres, or retail stores do not have the right to alter, modify or in any way, change the terms and conditions of this warranty.

Warranty registration is not necessary to obtain warranty on BINATONE products.

ABOUT YOUR PRODUCT WARRANTY: Most warranty repairs are handled routinely, but sometimes requests for warranty service may not be appropriate. For example, warranty service would NOT apply if the product damage occurred because of misuse, lack of routine maintenance, shipping, handling, warehousing or improper installation. Similarly, the warranty is void if the manufacturing date or the serial number on the product has been removed or the equipment has been altered or modified. During the warranty period, the authorized service dealer, at its option, will repair or replace any part that, upon examination, is found to be defective under normal use and service.

NORMAL WEAR & SERVICE/REPLACEABLE PARTS: This warranty does not cover normal wear of parts or damage resulting from any of the following: Negligent use or misuse of the product; Improper voltage or current; Use contrary to the operation instructions; Deviation from instructions regarding storage and transportation; Repair or alteration by anyone other than BINATONE or an authorized service centre; service parts replaced by user. Further, the warranty does not cover Acts of God, such as fire, flood, hurricanes, tornadoes etc.

Customers connecting BINATONE appliances directly to the mains power outlet or using a non-BINATONE stabilizer, risk voiding their BINATONE warranty. We recommend using quality BINATONE stabilizers for your protection – be wise, buy the best – always buy BINATONE

HOW TO OBTAIN WARRANTY SERVICE: Please contact BINATONE Customer Service (see Service & Customer Care section)



**Please consider recycling this  
instruction manual responsibly**

**Binatone Lifestyle Appliances**

**• LONDON • HONG KONG • DUBAI • LAGOS • ACCRA •**

Rev 2 (22-Dec-2020)