



Instruction Manual

Binatone Hair Clipper HC-500



*** To get the best results from your Binatone Hair Clipper,
please read the instruction book fully.**

**Binatone has an incredible heritage.
Established 1958 in London.**

We are an absolutely customer centric company! Words that are backed up with more than half a century of successfully delivering quality products to a customer base that spans more than 75 countries. Our commitment lies solely in delivering high quality yet affordable prices. Our teams, from engineering to manufacturing and marketing to sales, are all constantly pursuing an effort to make our products not just 'appliances' but 'lifestyle improvements'.

**Binatone a un héritage incroyable.
Créé en 1958 à Londres.**

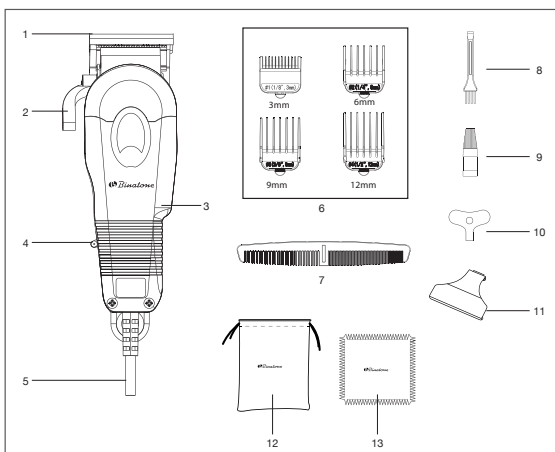
Nous sommes une société absolument centrée sur le client! Des mots soutenus avec plus d'un demi-siècle de livraison réussie de produits de qualité à une clientèle qui s'étend sur plus de 75 pays. Notre engagement consiste uniquement à fournir une qualité élevée mais des prix abordables. Nos équipes, de l'ingénierie à la fabrication et au marketing aux ventes, poursuivent constamment un effort pour rendre nos produits non seulement des «appareils ménagers» mais des «améliorations du mode de vie».

ENGLISH **4**

ENGLISH

FRENCH **10**

FRENCH



Hair Clipper HC-500

This appliance is intended for trimming of the hair and beard. It is only to be used for household purposes and is not meant for commercial or industrial use. Not to be used outdoors.

Power voltage: 220-240V~ 50Hz

Input power: 10W

DESCRIPTION OF THE APPLIANCE

1. Trimmer Blade set
2. Adjustable blade lever
3. Power screw
4. On/Off switch
5. Power cord
6. 4 guiding combs (3/6/9/12mm)
7. Styling Comb
8. Cleaning Brush
9. Lubricating oil
10. Adjustable key
11. Blade Guard
12. Fabric pouch
13. Cleaning cloth

IMPORTANT

Attention: Please oil your unit before each use. To oil properly, the unit should be held in such a way that the blades are in a downward position. Dispense 2-3 drops of oil across the top blade, let the clipper run for 5 seconds to let the oil spread along the blades. Wipe off the excess oil with a dry cloth, so it does not run into the motor compartment.

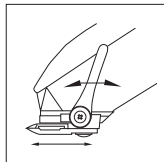
- Before using the appliance, please check the voltage and the type of plug that is required for your location.
- Before using it for the first time, remove all packaging materials from the appliance and its accessories.
- Ensure that the appliance is clean, properly oiled and in perfect working condition and it is free from hair and dirt.
- Make sure the On/Off switch is in the Off position and the adjustable blade lever is in the down position before connecting to the mains supply.
- Always unplug the appliance after each use.

OPERATING INSTRUCTIONS

1. Using the clipper can lead to the collection of hair over your clothes or the clothes of the person you wish to give a hair cut to. To avoid this, drape the person with a towel or cape over their shoulders to avoid any hair from falling on their clothing.
2. Seat the person with the top of their head approximately at your eye level.
3. Use this hair clipper on clean and dry hair. Never use it to cut wet hair. It performs best with dry hair, as this allows the user to see how much hair is being cut.
4. Before cutting, always comb the hair so it is tangle free.
5. This hair clipper consists of 6 guiding combs for different cutting lengths of: 1.5mm, 3mm, 4.5mm, 6mm, 9mm and 12mm.
6. Select the appropriate guiding comb. The guiding combs are numbered and marked. The 1.5mm guide comb is for the shortest cut, and the 12mm guide comb is for the longest cut.
To attach a guide comb:
While the clipper is off, hold the guiding comb with the teeth up. Hook the front edge of the guiding comb to the teeth of the trimmer blade. Then push the back of the guiding comb down until it clicks in place.
To remove the guide comb:
Hold the clipper with the blades facing away from you and pull the bottom of the guiding comb away from the blades.
7. Insert the power plug into the main supply outlet.
8. Switch on the hair clipper and start cutting hair. Make sure it is running smoothly, there should be a slight amount of vibration after it is switched on.
9. When finished trimming, turn off the hair clipper and unplug it from the power outlet.
10. Put the clipper with all its accessories and attachments in the fabric pouch and keep in a dry place after cleaning and dry thoroughly.
11. Always put the blade guard on the trimmer blade to protect the high quality carbon steel blade when not in use.

Adjustable blade lever:

- The adjustable blade lever allows you to change the closeness of your cut without a guiding comb.
- When the lever is in the uppermost position, the blades will give the closest cut and leave the hair very short. Pushing the lever downward gradually increases the cutting length.
- The lever will also extend the use of your blades since a different cutting edge is used in each setting.
- In addition, if extremely heavy hair cutting has jammed the blades, it will help you remove hair that has become wedged between the two blades without removing the blades: While the clipper is running, rapidly move the lever from upper position to lower position a couple of times. Do this each time after you have finished the trimming. This helps to keep the blades clear of cut hair. If your clipper stops cutting and this does not help, your cutting blades are dulled. Replace them with new blades.



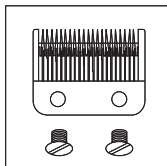
Note: The blade lever should always be in the down position unless you need the closest cut and push the lever to the uppermost position.

High precision carbon steel blade:

The blades are removable (for cleaning) and replaceable (if blades are dulled or damaged).

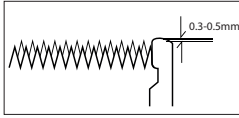
To remove the blades:

Simply loosen the screws and remove the top blade and the bottom blade for cleaning or replacement.



To attach the blades back to the clipper:

1. Blade must be realigned. Match the upper and bottom blades teeth up, point for point. Compare your clipper blades with the sketch on right. End of top blade teeth should be approximately 0.5mm back from bottom blade.
2. Extreme left hand tooth of top blade must be covering or be to the left of the first small tooth of bottom blade.
3. Extreme right hand tooth of top blade must be touching the big tooth on the bottom blade.
4. When the alignment is done, then tighten the screws.



Note: With the closer (0.3-0.5mm) blades setting, your clipper will have a sharper and better cutting performance. However, the upper moving blade should **never** exceed the lower fixed blade for safety reason.

Turn the clipper on for few seconds to check the alignment, then tighten the screws. If blade alignment is incorrect, loosen the screws slightly to re-adjust and re-check the blade alignment as necessary. Once done, add a few drops of oil to the blades, turn the clipper on for a few seconds, turn off and unplug. yellow mark.

Power screw:

- The power screw allows you to adjust the power. It has been adjusted before leaving the factory. However, if the voltage in your home is low, you may need to re-adjust it.
- To adjust, use the adjustable key provided to turn power screw in clockwise direction until the arm strikes the coil, making a noise. Then slowly turn power screw out (counter-clockwise) just until noise stops. This is to maximize power setting.

Lubrication

- To keep the hair clipper in sound operating conditions, it's necessary to lubricate the blades with the supplied oil every few haircuts.
- Before starting lubrication, turn the hair clipper off and unplug. Remove any hairs from the cutting head blades with the brush.
- Apply a few drops of oil to the teeth of the blades, turn the hair clipper on for five seconds, to let the oil spread along the blades.
- Wipe off excess oil with a clean, dry cloth.

Attention: Do not put too much oil onto the blade since excessive oil can damage the motor. Never try to lubricate the motor: the required grease was already applied at the factory.

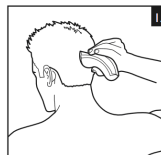
- After the lubrication procedure is completed, connect the device to start trimming.
- Use only the light-grade oil supplied or a suitable alternative like sewing machine oil.

Note: Do not use grease, or any oil mixed with kerosene or solvent on the clipper as they will slow down the blades motion. Brush clean the unit regularly to keep it free of hair and excess oil.

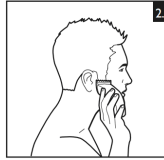
• **For Hair Cutting**

Note: Allow the clipper to cut through the hair without moving it too quickly. Moving the clipper too quickly may create a pulling sensation. The clipper works most efficiently when it works at its own speed. Use short strokes when cutting, and initially use the longest trimming guide. You can always use a closer trimming guide later if you want a closer cut.

- Start at the back of the head. Turn the clipper on and hold the clipper firmly, lightly stroke upward making sure you are taking off the desired amount of hair. Work your way up to the crown of the head in layers. When completed, use the styling comb to comb the area to remove any loose hair and to determine whether you need any further cutting. (Fig. 1)



- Repeat the same procedure for each side of the head. Make sure the length of the hair is trimmed to the same length on both sides of the head. Choose a closer trimming guide comb for trimming sideburns. (Fig. 2)



- To cut the hair at the top of the head, cut from the front to the back. For longer hair on top, use without a guiding comb, lift the hair with a styling comb or hold the hair between your fingers and cut them in short strokes, cutting only small amounts each time. (Fig. 3)



- The final trim can be made either with the hair clipper without the guiding comb, or with the scissors. Make sure to check over the entire head for any uneven areas. For styled hair or giving quick trims, you may prefer using your hair clipper without the guiding comb.

- **Outlining**

- Outlining does not require guiding comb.
- Push the blade lever up to the close-cut position.
- Comb hair into the style. Position the clipper between the sideburns and the ear.
- Make sure the corner edge of the blade is against the hairline. With the outline of the hair as you guide, slowly move the clipper over, around, and behind the ears.
- For the back of the neck and the sideburns, hold the clipper upside down, and holding it against the skin, move downwards.

- **Styling techniques for very short styles**

- Use an appropriate guiding comb for your desired hair length, hold the guiding comb flat against the head and move the hair clipper from the back of the neck to the crown of the head.
- Cut in a similar manner from the side to the top of the head. Then cut from the front to the crown of the head.
- If a "Flat Top" style is desired, remove the guiding comb and use the styling comb. Trim a little at a time until a flat look is achieved.

- **For trimming beards & mustaches**

- Comb your beard in the direction it grows.
- Determine the length you want the beard to be trimmed to, and fit the appropriate guiding comb. Remember the 1.5mm guiding comb will give you the shortest beard while the 12mm guiding comb will give you the longest. If you want a longer beard you can use the comb as a trimming guide.
- Start trimming under your chin and work toward your ear and beard line. Cut in different directions for a uniform trim.
- Lightly stroke the edge of your mustache in a downward movement.
- If you want the closest beard cut, use the clipper without the guiding comb and adjust the blade lever to its upper position. Hold the clipper upside down, and holding it against the skin, move downwards.

CARE AND MAINTENANCE

- Always switch off and unplug the appliance prior to cleaning.
- Do not use liquid cleaners on the trimmer blade. Do not use harsh or corrosive chemicals on the blade casing. Always use a soft brush to remove accumulated hairs.
- Clean the hair clipper and its accessories after each used to prevent the accumulation of grease and other remains. A poorly cleaned appliance will give poor performance.
- Remove any guiding combs from the trimmer blade and rinse the guiding comb under water.

- Clean the blade with the cleaning brush provided and then wipe with a damp cloth.
Note: If several people are using the hair clipper, we recommend thorough cleaning of working surfaces between uses. You may wipe the trimmer blade with alcohol solution.
- Clean the external surface of the hair clipper using a slightly wet cloth first and then with a dry cloth.
- Never immerse the hair clipper in water or any other liquids, or place it under the tap.
- The hair clipper, including the blade, guiding combs, scissors, cleaning brush and styling comb, must be dry thoroughly after cleaning and before reuse or storage.
- Store the hair clipper and accessories in the fabric pouch once they dry thoroughly and do not wrap the cable around it.

SAFETY MEASURES

When using your appliance, the following basic safety precautions should always be followed:

- ▶ Before using this appliance for the first time, check that the appliance voltage is the same as your local supply.
- ▶ **If the plug of the appliance's power cord does not fit your wall outlet, contact an authorized service center.**
- ▶ **Use of various adapters may result in damage to the appliance and termination of warranty.**
- ▶ Only use the appliance for the purposes stipulated in the instructions. Operating this appliance in any way apart from the described manner, will lead to dangers such as short circuit, fire or more. It is not allowed to modify this product in any way, or for the housing to be opened, otherwise the product will no longer be in compliance with its safety class.
- ▶ Only use attachments supplied with the appliance. Do not use any unauthorized attachments, they may be hazardous. The use of accessory attachments is not recommended by the appliance manufacturer as it may cause injury.
- ▶ To avoid electric shocks, **do not immerse the appliance, plug or power cord in water or any other liquids.** Do not place the appliance where it could come into contact with water or other liquids. If the appliance comes in contact with water, immediately disconnect it from the mains. Do not use the appliance again until it has been serviced by an **authorized service centre.**
- ▶ This appliance is not intended for use by persons (including children) with reduced physical, sensory or mental capabilities, or lack of experience and knowledge, unless they have been given supervision or instruction concerning use of the appliance by a person responsible for their safety.
- ▶ Keep the appliance and its cable out of reach of the children.
- ▶ Children should be supervised to ensure they do not play with the appliance.
- ▶ To avoid a circuit overload, do not operate any other high voltage equipment on the same circuit.
- ▶ **Always disconnect the appliance from the supply if it is left unattended and before assembling, disassembling, moving, cleaning and storing it.**
- ▶ Never pull the cord to disconnect the appliance, instead grasp the plug and pull it to disconnect.
- ▶ Do not let the power cord hang over the edge of your table or counter, and do not allow the power cord or the appliance itself to come in contact with hot surfaces.
- ▶ Position the appliance and the cord so that nobody can accidentally overturn it.
- ▶ Do not use the appliance if it has been dropped or if it has a damaged power cord or plug.
- ▶ Do not modify or repair the appliance yourself.
- ▶ Do not dismantle the appliance as improper assembly might result in an electric shock during the subsequent use of the appliance. **Repairs should only be done by authorized service centers.**
- ▶ If the supply cord or the plug is damaged, do not use the appliance or try to replace the cable yourself. It must be replaced by the manufacturer, its service agent or similarly qualified persons in order to avoid any hazards.
- ▶ Do not use the appliance if it has any mechanical defects (dents, cracks etc.). Get it checked by the nearest authorized service center.
- ▶ This appliance is intended to be used in households only, not for commercial or industrial use. Do not use it outdoor.

SPECIAL SAFETY MEASURES

- ▶ Always unplug the hair clipper from the power outlet when fitting or removing attachments, or while cleaning the product.
- ▶ Never leave the appliance unattended when plugged in or while switched on. Always switch the appliance off prior to placing it aside, even if only for a short period of time.
- ▶ Never attempt to remove any parts or add oil during the operation. Always switch off and disconnect the appliance from the power outlet before assembling or disassembling the guiding comb, and greasing.
- ▶ Do not use the appliance with wet hands or feet or barefoot.
- ▶ Do not use the appliance in the bath or shower or in steamy rooms or near water.
- ▶ Do not wrap the cable around the appliance.
- ▶ Never touch the cutting areas nor put these areas in contact with your skin as they are sharp.
- ▶ Care should be taken when handling the sharp blade and during cleaning.
- ▶ To avoid danger of injury or blocking do not use the appliance on your eyelashes, cloth or any other article.
- ▶ Do not use the appliance on sensitive skin or if you have any skin diseases (eczema, varicose veins, dermatitis, nevus pigmentosus, pimples, warts etc.).
- ▶ Do not use this appliance with a damaged or broken blade nor with teeth missing, as injury may occur.
- ▶ Always make sure blades are aligned properly.
- ▶ Never use adapters with this appliance.
- ▶ Always keep the appliance dry, store it and its cord in a moisture-free area.



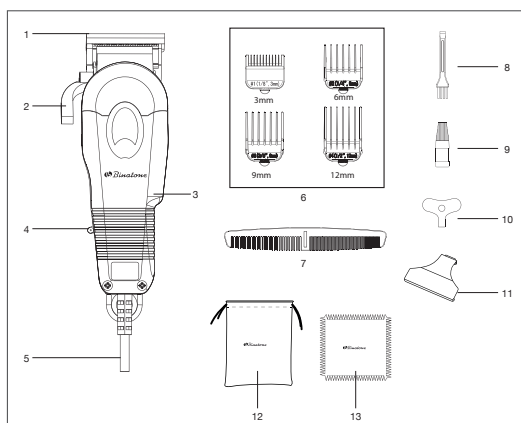
WARNING – Do not use this appliance near water, in bathtubs, basins or other vessels containing water.

AFTER-SALES SERVICE

If your appliance does not operate or does not operate properly, contact an authorized service centre for consultancy or repair.

The warranty does not cover:

- Product packing, consumables and accessories (knives, tips, etc.);
- Mechanical damages and natural wear of the product;
- Failures due to overloading, improper or careless maintenance, penetration of liquids, dust, insects and other foreign matter inside the product, exposure of plastic and other non thermal-resistant components to high temperatures, force-majeure circumstances (accidents, fire, flooding, power grid failure, lightning strike, etc.);
- Damages caused by:
 - ▶ Non-fulfilment of the above-mentioned precautions and operating manuals.
 - ▶ Application in commercial purposes (application of the product beyond personal daily living needs).
 - ▶ Connection to a grid with a voltage that differs from what is indicated on the appliance.
 - ▶ Unauthorized repair or replacement of the components of the appliance, performed by an unauthorized person or service centre.



Tondeuse à cheveux HC-500

Cet appareil est destiné à la coupe des cheveux et la barbe. Ce n'est que pour être utilisé à des fins domestiques et n'est pas destiné à un usage commercial ou industriel. Ne pas utiliser à l'extérieur.

Tension d'alimentation: 220-240V~ 50Hz

Puissance d'entrée: 10W

DESCRIPTION DE L'APPAREIL

1. Détachable Trimmer lame ensemble
2. Ajustez la longueur de coupe de lame
3. Vis à ressort
4. Interrupteur On / Off
5. Cordon d'alimentation
6. 4 fixation des peignes de guidage (3/6/9/12mm)
7. Peigne
8. Brosse de nettoyage
9. Huile de graissage
10. Clé réglable
11. Lame Garde
12. Poche en tissu
13. Chiffon de nettoyage

IMPORTANT

Attention: Veuillez lubrifier votre appareil avant chaque utilisation. Pour huiler correctement, l'unité doit être maintenue de manière à ce que les lames soient en position abaissée. Répartissez 2 à 3 gouttes d'huile sur la lame supérieure, laissez la tondeuse fonctionner pendant 5 secondes pour permettre à l'huile de se répandre le long des lames. Essayez l'excès d'huile avec un chiffon sec pour éviter qu'il ne pénètre dans le compartiment moteur.

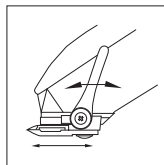
- Avant d'utiliser l'appareil, s'il vous plaît vérifier la tension et le type de bouchon qui est nécessaire pour votre emplacement.
- Avant la première utilisation, enlever tous les matériaux d'emballage de l'appareil et de ses accessoires.
- Assurez-vous que l'appareil est propre, bien huilé et en état parfait de fonctionnement et il est exempt de cheveux et de la saleté.
- Assurez-vous que l'interrupteur Marche / Arrêt est en position Arrêt et que le levier de lame réglable est en position basse avant de vous connecter au secteur.
- Débranchez toujours l'appareil après chaque utilisation.

MODE D'EMPLOI

1. Utilisation de la tondeuse peut conduire à la collecte de cheveux sur vos vêtements ou les vêtements de la personne que vous souhaitez donner une coupe de cheveux à. Pour éviter cela, le drapé de la personne avec une serviette ou une cape sur les épaules pour éviter toute chute de cheveux sur leurs vêtements.
2. Asseyez-vous la personne avec le dessus de leur tête à peu près au niveau de vos yeux.
3. Utilisez cette tondeuse à cheveux sur les cheveux propres et secs. Ne l'utilisez jamais pour couper les cheveux mouillés. La tondeuse fonctionne mieux avec les cheveux secs, comme cela permet à l'utilisateur de voir combien de cheveux est coupé.
4. Avant de couper, toujours peigner les cheveux de sorte qu'il est enchevêtrement libre.
5. Cette tondeuse à cheveux se compose de 4 fixation des peignes de guidage pour des longueurs de coupe différentes de: 3mm, 6mm, 9mm et 12mm.
6. Sélectionnez le peigne de guidage approprié. Les peignes de guidage sont numérotées et marquées. Le 3mm guide peigne est pour le plus court, et le peigne 12mm guide est pour la plus longue coupure.
Pour fixer un peigne de guidage:
Alors que la tondeuse est éteinte, maintenez le peigne de guidage avec les dents vers le haut. Accrocher le bord avant du peigne de guidage pour les dents de la lame de coupe. Ensuite, poussez l'arrière du guide peigne jusqu'à ce qu'un dé clic en place.
Pour enlever le peigne de guidage:
Maintenez la tondeuse avec les lames opposées vous former et tirer le bas du peigne de guidage loin des lames.
7. Insérez la fiche d'alimentation dans la prise d'alimentation secteur.
8. Mettez l'appareil et commencer à couper les cheveux. Assurez-vous que la tondeuse se déroule sans heurts, il devrait y avoir une légère quantité de vibrations après qu'il est allumé.
9. Lorsque vous avez terminé de détournement, éteignez l'appareil et le débrancher de la prise de courant.
10. Mettez la tondeuse avec tous ses accessoires et les pièces jointes dans le poche en tissu et conserver dans un endroit sec après le nettoyage et sécher complètement.
11. Toujours mettre la protection de lame sur la lame de coupe pour protéger la lame de haute qualité lorsqu'elle n'est pas utilisée.

Levier de lame réglable:

- Le levier de lame réglable vous permet de modifier la proximité de votre coupe sans un peigne de guidage.
- Lorsque le levier est dans la position la plus haute, les lames donnent la coupe la plus proche et laissent les cheveux très courts. Pousser le levier vers le bas augmente progressivement la longueur de coupe.
- Le levier élargira également l'utilisation de vos lames car une coupe différente est utilisée dans chaque réglage.
- En outre, si une coupe de cheveux extrêmement lourde a bloqué les lames, cela vous aidera à enlever les cheveux qui ont été calés entre les deux lames sans enlever les lames:
Pendant que la tondeuse fonctionne, déplacez rapidement le levier de la position supérieure à la position inférieure quelques fois. Faites-le chaque fois que vous avez fini la coupe. Cela permet de garder les lames dégagées des cheveux coupés. Si vous arrête la tondeuse pour couper et cela ne suffit pas, vos lames de coupe sont émoussés. Remplacez-les par de nouvelles lames.



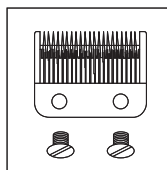
Remarque: Le levier de la lame doit toujours être en position basse, sauf si vous avez besoin le plus proche coupe et pousser le levier vers la position la plus haute.

Lame en acier au carbone à haute précision:

Les lames sont amovibles (pour le nettoyage) et remplaçables (si les lames sont entachées ou endommagées).

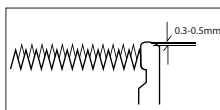
Pour retirer la lame de la tondeuse:

Desserrez simplement les vis et retirez la lame supérieure et la lame inférieure pour le nettoyer ou le remplacer.



Pour réintroduire la lame de taille:

1. La lame doit être réalignée. Faites correspondre les dents des lames supérieure et inférieure, point par point. La fin des dents supérieures de lame devrait être à environ 0,5 mm de la lame inférieure.
2. La dent extrême gauche de la lame supérieure doit être recouverte ou être à gauche de la première petite dent de lame inférieure.
3. La dent extrême droite de la lame supérieure doit toucher la grosse dent sur la lame inférieure.
4. Lorsque l'alignement est terminé, serrez les vis.



Remarque: Avec le réglage des lames plus proche (0,3-0,5mm), votre tondeuse aura une performance de coupe plus nette et meilleure. Cependant, la lame mobile supérieure ne doit jamais dépasser la lame fixe inférieure pour des raisons de sécurité.

Tournez la tondeuse pendant quelques secondes pour vérifier l'alignement, puis serrez les vis. Si l'alignement de la lame est incorrect, desserrez les vis légèrement pour réajuster et vérifiez l'alignement de la lame si nécessaire. Une fois terminé, ajoutez quelques gouttes d'huile sur les lames, mettez la tondeuse allumée pendant quelques secondes, éteignez et débranchez.

Vis à ressort:

- La vis d'alimentation vous permet de régler l'alimentation. Il a été ajusté avant de quitter l'usine. Cependant, si la tension dans votre maison est faible, vous devrez peut-être la réajuster.
- Pour régler, utilisez la clé réglable fournie pour faire tourner la vis dans le sens des aiguilles d'une montre jusqu'à ce que le bras frappe la bobine, provoquant un bruit. Ensuite, tournez lentement la vis d'alimentation (dans le sens inverse des aiguilles d'une montre) juste jusqu'à ce que le bruit s'arrête. Il s'agit de maximiser le réglage de l'alimentation.

Lubrification:

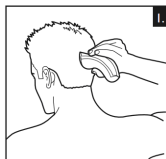
- Afin de maintenir l'appareil pour couper les cheveux dans des conditions de fonctionnement optimales, il est nécessaire de lubrifier les lames avec l'huile fournie une fois tous les trois ou quatre coupes de cheveux.
- Avant de commencer à la lubrification, tournez la tondeuse hors tension et débranchez. Enlever les poils coincés entre les lames de la tête de coupe avec la brosse.
- Appliquez quelques gouttes d'huile sur les dents des lames, tournez la tondeuse à cheveux pendant quinze secondes, pour permettre la propagation de l'huile le long des lames.
- Essuyez l'excès d'huile avec un chiffon propre et sec.
- *Attention: Ne pas mettre trop d'huile sur le dispositif. Huile excessive peut endommager le moteur. Ne essayez jamais de lubrifier le moteur: la graisse nécessaire a déjà été appliquée à l'usine.*
- Une fois la procédure de lubrification terminée, connectez l'appareil pour commencer le découpage
- Utilisez uniquement le pétrole léger de qualité fournie ou une alternative appropriée comme l'huile de machine à coudre.

Note: Ne pas utiliser de graisse ou d'huile mélangée avec du kérosène ou solvant sur la tondeuse, car cela ralentirait le mouvement des lames. Nettoyez l'appareil régulièrement pour le maintenir exempt d'huile de cheveux.

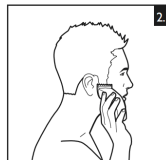
• Pour la coupe de cheveux

Remarque: Laisser la tondeuse pour couper à travers les cheveux sans bouger trop vite. Le déplacement de la tondeuse trop rapidement peut créer une sensation de tiraillement. Le tondeuse fonctionne le plus efficacement quand il fonctionne à sa vitesse. Utilisez des traits courts lors de la coupe, et d'abord utiliser le guide de coupe plus longue. Vous pouvez toujours utiliser un guide de coupe de plus près plus tard si vous souhaitez une coupe plus près.

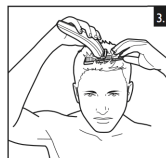
- Commencez à l'arrière de la tête. Tourner la tondeuse sur et en tenant la tondeuse, la légère course vers le haut en vous assurant que vous prenez au large de la quantité désirée de cheveux. Travailler votre chemin jusqu'à la couronne de la tête dans les couches. Une fois terminé, utilisez le peigne pour peigner la zone pour enlever toute cheveux dénoués et de déterminer si vous avez besoin de plus amples coupe. (Fig. 1)



- Répétez la même procédure pour chaque côté de la tête. Assurez-vous que la longueur du cheveu est coupé à la même longueur des deux côtés de la tête. Choisissez un peigne-guide de coupe plus proche pour couper les paillis. (Fig. 2)



- Pour couper les cheveux au sommet de la tête, c ut de l'avant vers l'arrière. Pour les cheveux longs sur le dessus, sans utiliser un peigne de guidage, soulevez les cheveux avec le un peigne de coiffeur ou tenir les cheveux entre les doigts et les couper en petits coups, coupe seulement de petites quantités à chaque fois. (Fig. 3)



- La garniture finale peut être faite soit avec la tondeuse sans le sabot de guidage, ou avec les ciseaux. Assurez-vous de vérifier sur l'ensemble de la tête pour toutes les zones irrégulières. Pour les cheveux de style ou de donner des garnitures rapides, vous préférez peut-être utiliser votre tondeuse sans le sabot de guidage.

• Contournage

- Les contours ne nécessitent pas de peigne de guidage.
- Poussez le levier de lame jusqu'à la position de coupe.
- Peigne des cheveux dans le style. Placez la tondeuse entre les brûlures latérales et l'oreille.
- Assurez-vous que le bord de l'angle de la lame est contre la ligne des cheveux. Avec le contour des cheveux que vous guidez, déplacez lentement la tondeuse sur, autour et derrière les oreilles.
- Pour l'arrière du cou et les paillis, tenez la tondeuse à l'envers et maintenez-le contre la peau, déplacez-vous vers le bas.

• Techniques de coiffage pour les styles très courts

- Utilisez un peigne de guidage approprié pour votre longueur de cheveux désirée, maintenir le peigne de guidage plat contre la tête et aller former la tondeuse à cheveux à l'arrière du cou à la couronne de la tête.
- Couper une manière similaire à partir du côté de la partie supérieure de la tête. Ensuite, couper de l'avant à la couronne de la tête.
- Si un style "Flat Top" est souhaitée, retirer le guide de coupe et utiliser le peigne. Coupez un peu à la fois jusqu'à un look ultra-plat est atteint.

• Pour tailler la barbe et moustaches

- Peignez votre barbe dans le sens qu'il se développe.
- Déterminer la longueur que vous souhaitez la barbe t o être taillés à, et monter t-il guide de peigne approprié. Rappelez-vous le guide de 3mm vous donnera la plus courte barbe tandis que le guide 12mm va vous donner la plus longue. Si vous voulez une barbe plus longue, vous pouvez utiliser le peigne comme un guide de coupe.

- Commencer à tailler sous votre menton et de travailler à votre oreille et la ligne de la barbe. Couper dans des directions différentes pour une assiette uniforme.
- Frottez légèrement le bord de votre moustache dans un mouvement vers le bas.
- Si vous voulez la coupe de la barbe la plus proche, utilisez la tondeuse sans le peigne de guidage et réglez le levier de lame sur sa position supérieure. Tenez la tondeuse à l'envers et maintenez-la contre la peau, déplacez-vous vers le bas.

SOINS ET MAINTENANCE

- Mettez toujours hors tension et débranchez l'appareil avant le nettoyage.
- Ne pas utiliser de nettoyeurs liquides sur la lame de la tondeuse. Ne pas utiliser de produits chimiques corrosifs ou sur le boîtier de la lame. Toujours utiliser une brosse douce pour enlever les poils accumulés.
- Nettoyez la tondeuse et ses accessoires après chaque utilisation pour empêcher l'accumulation de graisse et d'autres restes. Un appareil mal nettoyé donnera une mauvaise performance.
- Retirez tous les peignes de guidage de la lame de la tondeuse et rincer le peigne de guidage sous l'eau.
- Nettoyez la lame avec la brosse de nettoyage fournie, puis essuyez-la avec un chiffon humide.
Remarque: Si plusieurs personnes utilisent l'appareil, un nettoyage en profondeur des surfaces entre les utilisations de travail est fortement recommandé. Vous pouvez rincer les lames avec une solution d'alcool.
- Nettoyez la surface externe de la tondeuse avec un chiffon légèrement humide, suivi d'un chiffon sec.
- Ne jamais mettre l'unité principale sous l'eau ou tout autre liquide, ou les placer sous l'eau courante.
- La tondeuse à cheveux, y compris la lame, les peignes de guidage, les ciseaux, brosse de nettoyage et peigne, doit être sec après le nettoyage et avant la réutilisation ou le stockage.
- Rangez la tondeuse et les accessoires dans une poche en tissu une fois qu'ils se sont complètement séchés et ne pas enrouler le câble autour de lui.

MESURES DE SÉCURITÉ

Lorsque vous utilisez votre appareil, les précautions de base suivantes doivent toujours être respectées:

- ▶ Avant d'utiliser cet appareil pour la première fois, vérifiez que la tension de l'appareil est la même que votre offre locale.
- ▶ **Si la fiche du cordon d'alimentation de l'appareil ne correspond pas à votre prise murale, contactez un centre de service autorisé.**
- ▶ **L'utilisation de différents adaptateurs peut entraîner des dommages à l'appareil et la cessation de la garantie.**
- ▶ Utilisez uniquement l'appareil aux fins prévues dans les instructions. L'utilisation de cet appareil en aucune façon en dehors de la manière décrite, va conduire à des dangers tels que court-circuit, un incendie ou plus. Il est interdit de modifier ce produit en aucune façon, ou son logement pour être ouvert, sinon le produit ne sera plus en conformité avec sa classe de sécurité.
- ▶ Utilisez uniquement les pièces fournies avec l'appareil. Ne pas utiliser d'accessoires non autorisés, ils peuvent être dangereux. L'utilisation d'accessoires non recommandés par le fabricant de l'appareil peut causer des blessures.
- ▶ Pour éviter les chocs électriques, **ne pas immerger l'appareil, la fiche ou le cordon d'alimentation dans l'eau ou tout autre liquide.** Ne pas placer l'appareil où il pourrait entrer en contact avec de l'eau ou d'autres liquides. Si l'appareil ne entre en contact avec de l'eau, débranchez immédiatement du réseau électrique. Ne pas utiliser à nouveau l'appareil jusqu'à ce qu'il a été entrete nu par un **centre de service agréé.**
- ▶ Cet appareil ne est pas destiné à être utilisé par des personnes (y compris les enfants) dont les capacités physiques, sensorielles ou mentales réduites, ou le manque d'expérience et de connaissances, à moins qu'ils ne aient été supervisées ou instructions concernant l'utilisation de l'appareil par une personne responsable de leur sécurité.

- ▶ Gardez l'appareil et son cordon hors de portée des enfants.
- ▶ Les enfants doivent être surveillés pour se assurer qu'ils ne jouent pas avec l'appareil.
- ▶ Pour éviter une surcharge du circuit, ne pas utiliser tout autre équipement de haute tension sur le même circuit.
- ▶ **Toujours débrancher l'appareil du réseau d'alimentation une fois que vous avez fini de l'utiliser. Cela comprend si elle sera laissé sans surveillance avant d'assembler, démonter, déplacer, le nettoyage et le stockage.**
- ▶ Ne jamais tirer sur le cordon pour débrancher l'appareil, au lieu de saisir la fiche et tirez pour le débrancher.
- ▶ Ne laissez pas le cordon pendre sur le bord de votre table ou un comptoir, ne laissez pas le cordon ou l'appareil lui-même entrer en contact avec des surfaces chaudes.
- ▶ Positionner l'appareil et le cordon de sorte que personne ne puisse accidentellement renverser.
- ▶ Ne pas utiliser l'appareil se il est tombé ou se il a un cordon d'alimentation ou une fiche endommagés.
- ▶ Ne pas modifier ou réparer l'appareil vous-même.
- ▶ Ne démontez pas l'appareil comme un mauvais assemblage pourrait provoquer un choc électrique lors de l'utilisation ultérieure de l'appareil. **Les réparations doivent être effectuées par des centres de service autorisés.**
- ▶ Si le cordon d'alimentation ou la prise est endommagé, ne pas utiliser l'appareil ou essayer de remplacer le cordon vous. Il doit être remplacé par le fabricant, son agent de service ou un technicien qualifié afin d'éviter un danger.
- ▶ Ne pas utiliser l'appareil se il a des défauts mécaniques (bosses, fissures, etc.). Faites-le vérifier par le centre de service agréé le plus proche.
- ▶ Cet appareil est destiné à être utilisé dans les ménages, et non pour un usage commercial ou industriel. Ne pas utiliser à l'extérieur.

MESURES SPÉCIALES DE SÉCURITÉ

- ▶ Toujours débrancher la tondeuse de la prise d'alimentation lors du débranchement de montage ou les pièces jointes, ou lors du nettoyage du produit.
- ▶ Laissez jamais l'appareil sans surveillance lorsque branché en ou tout allumé. Mettez toujours l'appareil hors tension avant de le placer de côté, même si seulement pour une courte période de temps.
- ▶ N'essayez jamais de retirer des pièces ou d'ajouter de l'huile pendant l'opération. Toujours éteindre et débrancher l'appareil de la prise de courant avant de monter ou de démonter le peigne de guidage et de le graisser.
- ▶ Ne pas utiliser l'appareil avec les mains ou les pieds mouillés ou pieds nus.
- ▶ Ne pas utiliser l'appareil dans le bain ou la douche ou dans des pièces torrides ou près de l'eau.
- ▶ Ne pas enrouler le cordon autour de l'appareil.
- ▶ Ne jamais toucher les zones de coupe, ni mettre ces zones en contact avec votre peau car ils sont tranchantes.
- ▶ Il faut prendre soin de la manipulation des lames pointues pendant le nettoyage.
- ▶ Pour éviter tout risque de blessure ou de blocage ne pas utiliser l'appareil sur votre cils, tissu ou tout autre article.
- ▶ Ne pas utiliser l'appareil sur des endroits où votre peau est sensible ou si vous avez une maladie de peau (eczéma, les varices, la dermatite, naevus pigmentaire, des boutons, des verrues, etc.).
- ▶ Ne pas utiliser cet appareil avec une unité de coupe endommagée ou brisée, que les blessures peuvent se produire.
- ▶ Toujours faire certaines lames sont alignés correctement.
- ▶ Ne pas utiliser des adaptateurs avec cet appareil.
- ▶ Toujours garder l'appareil à sec, stocker et son cordon dans une zone exempte d'humidité.



AVERTISSEMENT - Ne pas utiliser cet appareil près de l'eau dans les baignoires, lavabos ou autres récipients contenant de l'eau

SERVICE APRÈS-VENTE

Si votre appareil ne fonctionne pas ou ne fonctionne pas correctement, contactez un centre de service autorisé pour le conseil ou la réparation.

La garantie ne couvre pas:

- Emballage de produit, consommables et accessoires (couteaux, des conseils, etc.)
- Dommages mécaniques et l'usure naturelle du produit
- Les défaillances dues à la surcharge, négligence ou entretien inadéquat, la pénétration de liquides, poussière, insectes et autres corps étrangers dans l'appareil, l'exposition de plastique et d'autres composants non thermique résistant à des températures élevées, les circonstances force majeure (accidents, incendie, inondation, défaillance du réseau électrique, la foudre, etc.)
- Les dommages causés par:
 - ▶ Le non-respect des précautions mentionnées ci-dessus et des manuels d'exploitation.
 - ▶ Application dans des fins commerciales (application du produit au-delà des besoins de la vie quotidienne personnelles).
 - ▶ connexion à un réseau avec une tension qui diffère de ce qui est indiqué sur l'appareil.
 - ▶ réparation non autorisée ou le remplacement des composants de l'appareil, effectuées par une personne non autorisée ou un centre de service.

